



PrimaVision Economy for CDM lamps

HID-PV E 35 /S CDM 220-240V

Single CDM lamp operation, single HID electronic gear – improves cost effectiveness and increases luminaire design flexibility

Product data

| General Information | |
|--|---------------|
| Type Version | - |
| Lamp Type | CDM |
| Number of Lamps | 1 piece/unit |
| Number of Products on MCB (16A Type B) (Nom) | 24 |
| Automatic Restart | Yes |
| Operating and Electrical | |
| Input Voltage | 220 to 240 V |
| Input Frequency | 50 to 60 Hz |
| Minimum Mains Voltage Operation (Min) | 180 V |
| Operating Frequency (Nom) | 45-66 kHz |
| Power Factor 100% Load (Nom) | 0.95 |
| Igniton Type | Pulse |
| Ignition Voltage (Max) | 5.0 kV |
| Ignition Voltage (Min) | 3.0 kV |
| Mains Voltage Performance (AC) | -8%~+6% |
| Mains Voltage Safety (AC) | 180-264V |
| Inrush Current Width | 0.25 ms |
| Constant Wattage Deviation | Not specified |
| Power Losses (Nom) | 5 W |
| Inrush Current Peak (Max) | 26 A |

| Output Voltage | - V |
|--|---------------------------|
| Wiring | |
| Cable Capacity Output Wires Mutual (Nom) | 120 pF |
| Cable Length From Device to Lamp | 2 m |
| Ballast Contact Wire Cross Section | 0.50-1.50 mm ² |
| Connector Type | Insert |
| System characteristics | |
| Rated Ballast-Lamp Power | 35 W |
| Temperature | |
| T-Ambient (Max) | 55 °C |
| T-Ambient (Min) | -20 °C |
| T-Storage (Max) | 80 °C |
| T-Storage (Min) | -25 °C |
| T-Case Lifetime (Nom) | 80 °C |
| T-Case Maximum (Max) | 80 °C |
| Mechanical and Housing | |
| Housing | /S |

PrimaVision Economy for CDM lamps

Approval and Application

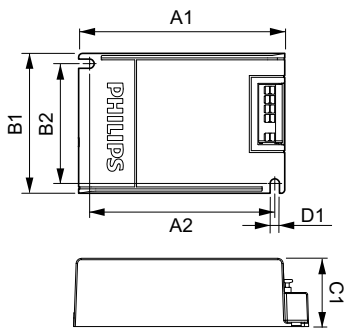
| | |
|----------------------------------|---|
| Active Temperature Protection | No |
| EMI 30 MHz ... 1000 MHz | CISPR15 Edition 7.2 |
| Vibration Standard | IEC68-2-6 F c |
| Bumps Standard | IEC 68-2-29 Eb |
| Approval Marks | CE marking ENEC certificate VDE certificate |
| Surge Test Installation Level | EN61547 |
| Surge Test Performance Criterium | Not specified |
| Hum And Noise Level | 37 dB(A) |

Product Data

| | |
|-------------------|-----------------|
| Full product code | 871829118417100 |
|-------------------|-----------------|

| | |
|---------------------------------|-----------------------------|
| Order product name | HID-PV E 35 /S CDM 220-240V |
| EAN/UPC - Product | 8718291184171 |
| Order code | 913700680766 |
| Numerator - Quantity Per Pack | 1 |
| Numerator - Packs per outer box | 12 |
| Material Nr. (12NC) | 913700680766 |
| Net Weight (Piece) | 0.215 kg |

Dimensional drawing



HID-PV_e C 35 /S CDM 220-240V 50/60Hz

| Product | D1 | C1 | A1 | A2 | B1 | B2 |
|--------------------------------|--------|---------|----------|---------|---------|---------|
| HID-PV E 35 /S CDM 220-240V | 4.9 mm | 32.2 mm | 109.6 mm | 98.5 mm | 74.4 mm | 63.7 mm |

